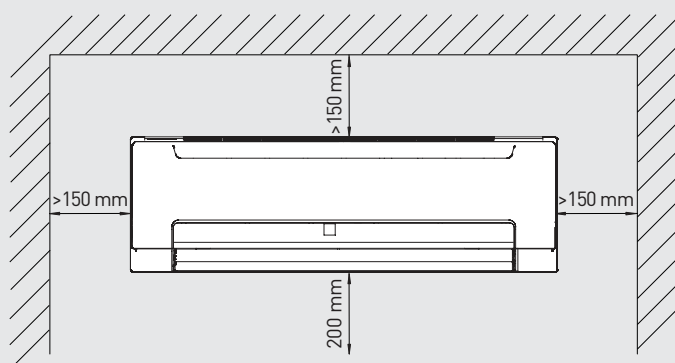


Right piping as standard.

Model	Dimensions (H x W x D) mm
3	290 x 915 x 230
4	290 x 915 x 230



MINIMUM MOUNTING DISTANCES

Technical data	Unit of measurement	HYDRO 3	HYDRO 4
Code		3.027918	3.027919
Weight	kg	13,0	13,3
Heating heat output (Max. / Med. / Min. speed)	kW	3,36 / 3,10 / 2,79	4,37 / 3,73 / 3,17
Cooling heat output (Max. / Med. / Min. speed)	kW	2,63 / 2,41 / 2,16	3,28 / 2,83 / 2,41
Power absorbed (Max. / Med. / Min. speed)	W	24 / 19 / 17	40 / 32 / 28
Water flow rate	l/h	452	564
Heating load losses	kPa	27,3	40,8
Cooling load losses	kPa	29,4	43,5
Air flow (Max. / Med. / Min. speed)	m ³ /h	425 / 390 / 350	680 / 550 / 460

Technical note:

For the total number of fancoils that can be combined with hybrid systems or heat pumps, it is necessary to evaluate in addition to the power of the appliance, also the flow rate and head characteristics and piping load losses. For more information contact Immergas customer service.

Option kits for HYDRO

Type	Code
Connection kit for HYDRO 3/4 left exit To be used in case of left side piping.	3.029520

