



# FANCOIL UNITS

- Wall-hung
- Floor standing
- Recessed



# FANCOIL UNITS

Perfect heating and cooling also with renewable energy

The new Immergas range of hydronic fan coils offers a vast array of options for optimal temperature control in every room with hybrid systems, integrated systems or heat pumps only. Our three new models feature **efficient, quiet** operation and **ease of installation** in any type of home, store, shopping centre, hospital and hotel.

HYDRO is a **wall mounted** unit, HYDRO FS is **floor standing**, and HYDRO IN **flush mounted**. Each model is available in a number of versions with different heating and cooling outputs to provide many solutions both in new buildings and renovations.

## GREAT ATTENTION TO AESTHETIC DETAILS

The finishings of Immergas fan coils have been designed with **great attention to small details**. Designers, architects and builders can choose from a range of units that **blend in with any décor and guarantee greater comfort** in every building.

The range of accessories for installation and temperature control is very wide and can be combined with any type of system.

## MANY APPLICATIONS FOR EVERY MODEL

Model	Residential and commercial buildings				
<b>HYDRO</b> <i>Wall-hung installation</i>					
	Renovated apartment	New building	Shop Office		
Residential and tertiary or service sector buildings					
<b>HYDRO FS</b> <i>Floor-standing installation</i>					
<b>HYDRO IN</b> <i>Recessed installation</i>	Renovated apartment	New building	Shop Office	Public administration	Hotel Hospital Shopping center



### **RANGE VARIETY**

The new Immerguson hydronic fan coils have been designed and constructed to offer efficiency and ease of assembly in every installation, whether in new buildings or when replacing or upgrading existing systems.

### **COMFORT IN EVERY SEASON**

They quickly bring every room to the ideal temperature, in winter and summer. Continuous recirculation creates a pleasant, uniform movement of air.

### **COMPACT, MODERN DESIGN**

The white lacquered case, the flush mount option, the slim floor-standing model (just 15 cm deep) and the attention to aesthetic details mean you can find a model to suit any décor: from the most modern apartments, to stores, hotels, hospitals, etc.

### **LOW CONSUMPTION, MINIMAL NOISE**

In floor standing and flush mounted models, the DC inverter motor continually modulates the fan and progressively reduces RPM as soon as the set temperature is reached. This increases efficiency and reduces noise levels.

### **WIDE CHOICE OF TEMPERATURE CONTROL SYSTEMS**

HYDRO 3 and 4 units are equipped with remote control as standard, HYDRO FS and HYDRO IN different an optional temperature control kits that enable great flexibility of use. Floor standing and recessed fancoils can be combined with commercial temperature control systems via optional interface cards.

### **EASE OF INSTALLATION**

Thanks to their small weight and to the range of solutions, the units can be installed quickly and easily in any situation.



The Immergas compact hybrid systems and the heat pump solutions can all be combined with the range of hydronic fan coils, to offer a complete system.

## HYBRID SYSTEMS

### **MAGIS COMBO MAGIS COMBO PLUS**

Heat pump and condensing boiler: the combi version, ideal for the replacement, it is suitable for heating systems up to 80 ° C. The heating only version (PLUS) is ideal for new buildings and allows to reach high energy classes by exploiting at maximum the renewable energy

### **TRIO V2: PLUS SOLUTION**

Compact recessed or in-house system, complete with monobloc AUDAX heat pump and heating only boiler; designed for installations with high DHW comfort requirements. Two or one zone versions are available

### **TRIO V2: COMBI SOLUTION**

Compact recessed or in-house system, complete with monobloc AUDAX heat pump and combi boiler; recommended for new housing units up to three-room apartments. Two or one zone versions are available

### **MAGIS HERCULES ErP**

Floor standing condensing boiler with 220 litres combined storage tank and solar circuit integrated, pre-arranged for connection to monoblock AUDAX heat pump, ideal for single-family and small houses

### **MAGIS VICTRIX ErP**

Wall-hung condensing combi boiler prearranged for connection to AUDAX heat pump, ideal for new apartments and for replacing boilers in existing plants to guarantee high hydraulic performance without set up external manifolds and pumps



MAGIS PRO ErP

AUDAX + RAPAX V2

TRIO V2  
BASE AND PRO SOLUTIONS

## HEAT PUMPS

### MAGIS PRO ErP

Ideal for new residential buildings with very high energy classes, particularly suitable for cold climate areas

### TRIO V2: BASE SOLUTION

Compact recessed or in-house system, complete with monobloc AUDAX heat pump; particularly suitable for temperate climate areas. Two or one zone versions are available

### TRIO V2: PRO SOLUTION

Compact recessed or in-house system, complete with splitted MAGIS PRO ErP heat pump; particularly suitable for cold climate areas. Two or one zone versions are available

### AUDAX + RAPAX V2

Solution that guarantees great comfort in heating and cooling and high sanitary comfort thanks to the water heater with high storage tank capacity; possibility to manage at the same time room cooling and DHW production

# HYDRO 3/4

Wall-hung hydronic fancoil



Ideal for apartments,  
especially in the event of restructuring.



Renovated  
apartment



New  
building

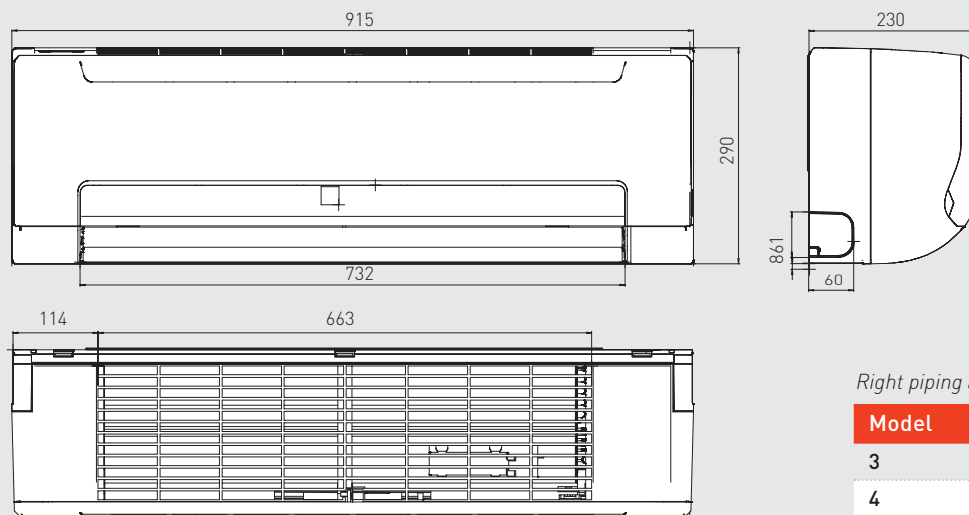


Shop  
Office

## TECHNICAL FEATURES

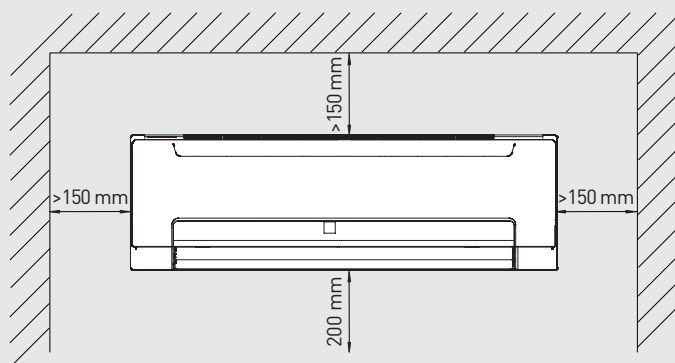
- LCD remote control supplied as standard
- **3-way valve as standard** with micro switch for transmitting the request to the hybrid system or the heat pump
- Water **heat exchanger** with a **large exchange surface** with condensate drain and air vent valve
- **Water probe and air probe** supplied as standard
- Horizontal and vertical **directional wind deflectors**
- Adjustment in cooling and heating with **3 fan speeds**
- Units made of ABS **with high mechanical characteristics**





Right piping as standard.

Model	Dimensions (H x W x D) mm
3	290 x 915 x 230
4	290 x 915 x 230



MINIMUM MOUNTING DISTANCES

Technical data	Unit of measurement	HYDRO 3	HYDRO 4
<b>Code</b>		<b>3.027918</b>	<b>3.027919</b>
Weight	kg	13,0	13,3
Heating heat output (Max. / Med. / Min. speed)	kW	3,36 / 3,10 / 2,79	4,37 / 3,73 / 3,17
Cooling heat output (Max. / Med. / Min. speed)	kW	2,63 / 2,41 / 2,16	3,28 / 2,83 / 2,41
Power absorbed (Max. / Med. / Min. speed)	W	24 / 19 / 17	40 / 32 / 28
Water flow rate	l/h	452	564
Heating load losses	kPa	27,3	40,8
Cooling load losses	kPa	29,4	43,5
Air flow (Max. / Med. / Min. speed)	m <sup>3</sup> /h	425 / 390 / 350	680 / 550 / 460

Technical note:

For the total number of fancoils that can be combined with hybrid systems or heat pumps, it is necessary to evaluate in addition to the power of the appliance, also the flow rate and head characteristics and piping load losses. For more information contact Immergas customer service.

## Option kits for HYDRO

Type	Code
<b>Connection kit for HYDRO 3/4 left exit</b> To be used in case of left side piping.	3.029520



# HYDRO FS

Floor standing hydronic fancoil



Ideal for commercial and large buildings.



Renovated  
apartment



New  
building



Shop  
Office



Public  
administration

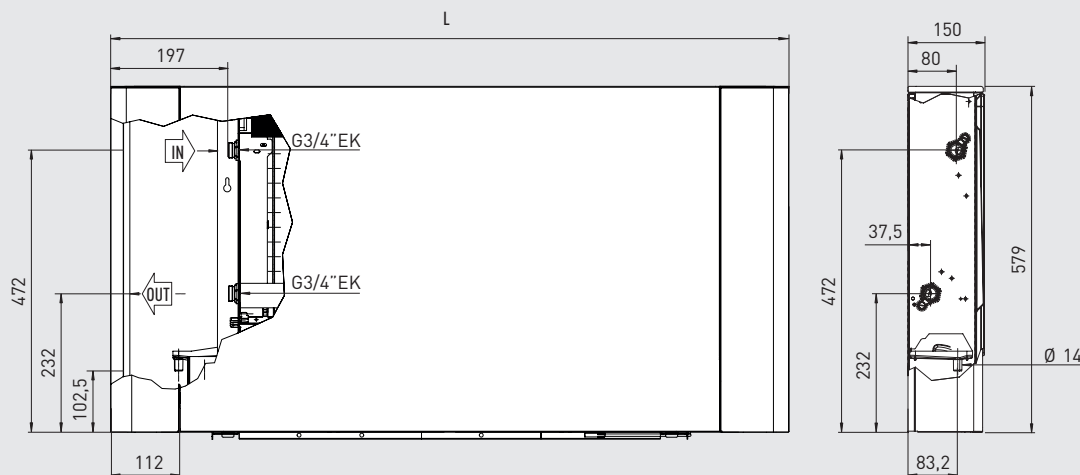


Hotel  
Hospital  
Shopping center

## TECHNICAL FEATURES

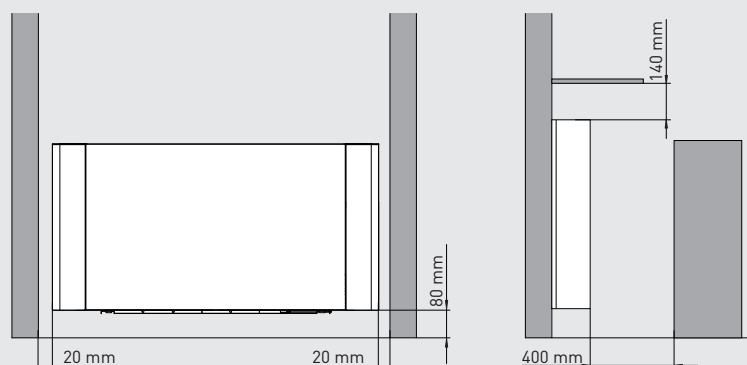
- **Elegant aesthetics** with white painted casing
- **Reduced depth** for integration into any living context
- **Flow and return connections on the left side** (with possibility of reversing to the right)
- **Bottom air intake** (minimum distance of 80 mm from the floor)
- **Very low sound impact** thanks to the tangential fan and the DC INVERTER motor
- **Installation template and wall brackets as standard**
- **Flat adapters as standard** and 3/4" hydraulic connections





Hydraulic connections on the left side as standard.

Model	L
FS 200	735
FS 400	935
FS 600	1135
FS 800	1335
FS 1000	1535



MINIMUM MOUNTING DISTANCES

Technical data	Unit of measurement	HYDRO FS 200	HYDRO FS 400	HYDRO FS 600	HYDRO FS 800	HYDRO FS 1000
<b>Code</b>		<b>3.028500</b>	<b>3.028501</b>	<b>3.028502</b>	<b>3.028503</b>	<b>3.028505</b>
Weight	kg	17	20	23	26	29
Heating heat output (water at 45/40 °C)	kW	0,97	2,17	3,11	3,88	4,37
Water flow rate (45/40 °C)	l/h	168	374	535	668	752
Heating load losses (water at 45/40 °C)	kPa	7,8	7,2	11,5	21,3	20,4
Heating heat output (water at 70/60 °C)	kW	1,89	3,99	5,47	6,98	8,30
Water flow rate (70/60 °C)	l/h	162	343	471	600	714
Heating load losses (water at 70/60 °C)	kPa	6,7	7,6	16,1	14	19,8
Cooling heat output (water at 7/12 °C)	kW	0,76	1,77	2,89	3,20	3,73
Water flow rate (7/12 °C)	l/h	130	304	497	551	642
Cooling load losses	kPa	4,7	2,9	27,0	24,0	31,0
Power absorbed (Max. / Med. / Min. speed)	W	11/3	19/3	20/4	29/5	30/6
Air flow (Max. / Med. / Min. speed)	m <sup>3</sup> /h	146/90/49	294/210/118	438/318/180	567/410/247	663/479/262
Sound power level at max speed	dB(A)	50	51	53	55	56




Technical note:

For the total number of fancoils that can be combined with hybrid systems or heat pumps, it is necessary to evaluate in addition to the power of the appliance, also the flow rate and head characteristics and piping load losses. For more information contact Immergas customer service.


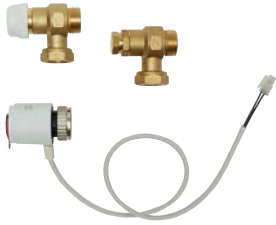
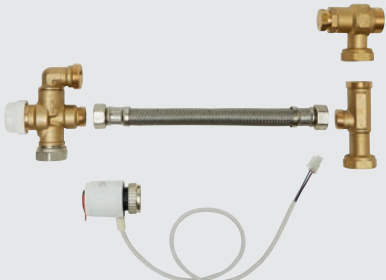


# Thermoregulation for HYDRO FS

For the functioning of HYDRO FS it is required to install one of these kits to be able to manage the fan coil.

Type		Code
<p><b>Modulating thermoregulation kit</b> including control panel with display, electronic board and NTC air probe. For installation on the machine, allows the room temperature adjustment using 4 types of programs: Auto, Silent, Night and Max. Equipped with PI logic and memory, to preserve the settings in case of shutdown or failure of tension. Equipped with presence entry for deactivation in stand-by mode (ideal for hotels or window contacts).</p>		3.028509
<p><b>4 speeds thermoregulation kit</b> including control panel and probe NTC air. For installation on the machine, with adjustment speed on 4 steps. Enables adjustment of the room temperature (adjustable setpoint 5 - 40 ° C), one of the 4 speeds and the summer / winter selection. The control panel has memory to preserve settings in case of shutdown or lack of voltage. It has a 230 V output for control of the water solenoid valve..</p>		3.028510
<p><b>Universal control board for commercial thermoregulation</b> For installation on the machine, allows to manage the fan motor, with fixed speeds. It has a 230 V output for piloting water solenoid valve in summer and winter. Can be combined with thermostat commercial controls with fan speed selection. The 4 speed inputs activate the fan, according to pre-established speeds (possible also combination of 3-speed thermostats, taking advantage of 3 of the 4 available inputs). Multiple cards can be connected in parallel to one single thermostat.</p>		3.028511
<p><b>Electronic control board with 0-10 V connection</b> It allows to manage the fan motor, with modulating speed. The motor adjustment is carried out through a 0-10 V DC analog input. It has a 230 V output for piloting of the water solenoid valve.</p>		3.028512

## Option kits for HYDRO FS

Type		Code
<p><b>Sheet metal feet kit</b> Ideal to cover pipes from the floor. Height 80 mm.</p>		3.028506
<p><b>2-way group valve kit</b> composed of automatic valve with thermoelectric head and holder to balance the plant load losses. Including insulation.</p>		3.028507
<p><b>3-way group valve kit</b> composed of three-way diverter valve with thermoelectric head, by-pass tube and holder to balance plant load losses. Including insulation.</p>		3.028508
<p><b>Connection cable to shift water connections from left to right</b> to be used in case of hydraulic connections on the right side, rotating the battery 180° (operation to be carried out on site).</p>		3.029834

# HYDRO IN

Wall and ceiling built-in hydronic fancoil



Ideal for new dwellings.



Renovated  
apartment



New  
buildings



Shop  
office



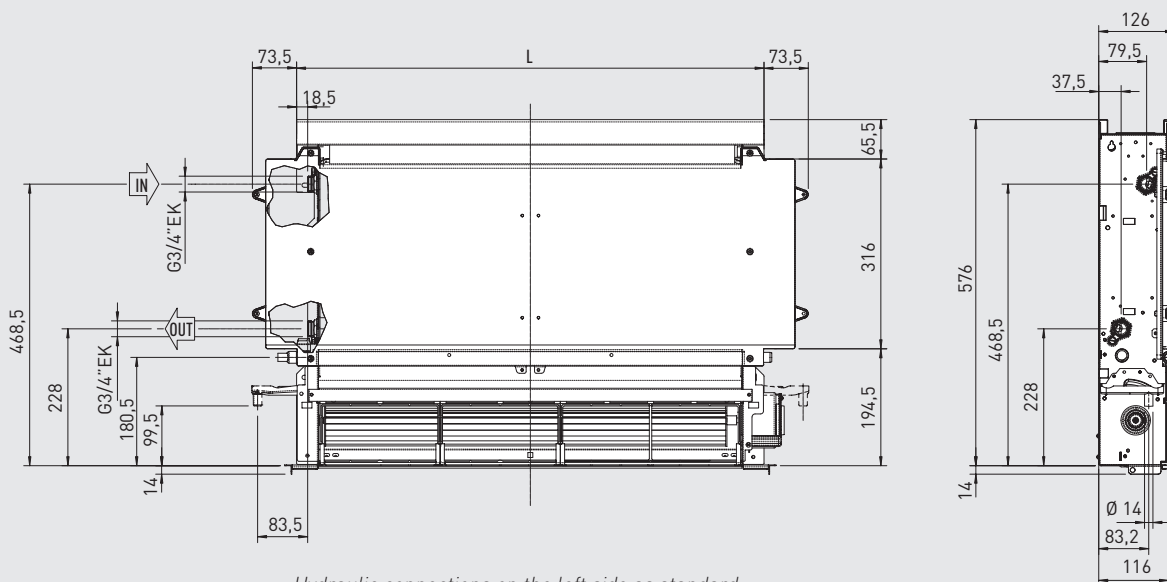
Public  
administration



Hotel  
Hospital  
Shopping center

## TECHNICAL FEATURES

- **Reduced aesthetic impact**
- **Flow and return connections on the left side** (with possibility of inversion to the right)
- **Respond to every design requirement** (on the wall, ceiling, in false ceiling)
- **Very low sound impact** thanks to the tangential fan and the DC INVERTER motor
- **Flat adapters as standard and 3/4" hydraulic connections**
- **Balancing valves as standard**
- **Availability of numerous accessories**
- **Condensate collection system** for vertical or horizontal installation as standard



Hydraulic connections on the left side as standard.

Model	L
IN 200	378
IN 400	578
IN 600	778
IN 800	978
IN 1000	1178

Technical data	Unit of measurement	HYDRO IN 200	HYDRO IN 400	HYDRO IN 600	HYDRO IN 800	HYDRO IN 1000
<b>Code</b>		<b>3.029841</b>	<b>3.029842</b>	<b>3.029843</b>	<b>3.029844</b>	<b>3.029845</b>
Weight	kg	17	20	23	26	29
Heating heat output (water at 45/40 °C)	kW	0,97	2,17	3,11	3,88	4,37
Water flow rate (45/40 °C)	l/h	168	374	535	668	752
Heating load losses (water at 45/40 °C)	kPa	7,8	7,2	11,5	21,3	20,4
Heating heat output (water at 70/60 °C)	kW	1,89	3,99	5,47	6,98	8,30
Water flow rate (70/60 °C)	l/h	162	343	471	600	714
Heating load losses (water at 70/60 °C)	kPa	6,7	7,6	16,1	14	19,8
Cooling heat output (water at 7/12 °C)	kW	0,76	1,77	2,89	3,20	3,73
Water flow rate (7/12 °C)	l/h	130	304	497	551	642
Cooling load losses	kPa	4,7	2,9	27,0	24,0	31,0
Power absorbed (Max. / Med. / Min. speed)	W	11/3	19/3	20/4	29/5	30/6
Air flow (Max. / Med. / Min. speed)	m <sup>3</sup> /h	146/90/49	294/210/118	438/318/180	567/410/247	663/479/262
Sound power level at max speed	dB(A)	50	51	53	55	56



Technical note:

For the total number of fancoils that can be combined with hybrid systems or heat pumps, it is necessary to evaluate in addition to the power of the appliance, also the flow rate and head characteristics and piping load losses. For more information contact Immergas customer service.


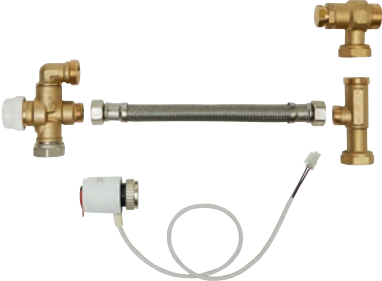


## Thermoregulation for HYDRO IN

For the functioning of HYDRO IN it is required to install one of these kits to be able to manage the fan coil.

Tipologia		Codice
<p><b>Smart touch wall controller with temperature probe</b> includes control panel with PI logic and room probe for control up to 30 units. To combine with the on board electronic control with PID full modulating fan code 3.029896. Adjustment of temperature in hot and cold at modulating speed of the engine. It has a 230 V output for control water solenoid valve and presence inlet for deactivation in stand-by mode (for example for window contact or room presence badge hotel).</p> <p><b>Available in two colours: black and white</b></p>		<p>3.029897 <i>(black casing)</i></p> <p>3.029898 <i>(white casing)</i></p>
<p><b>On board electronic control with PID full modulating fan</b> to be provided in combination with the smart touch wall controller with temperature probe code 3.029897 and 3.029898; it is installed inside the fan coil and allows the engine to be operated with continuous modulating operation.</p>		3.029896
<p><b>Universal control board for commercial thermoregulation</b> ideal for installation on the machine, it allows to manage the fan motor with fixed speeds. It has a 230 V output for control of the summer/winter water solenoid valve. It can be combined with commercial thermostats with fan speed selection. The 4 speed inputs activate the fan, according to pre-established speeds (possible also combination of 3-speed thermostats, using 3 of the 4 available inputs); multiple control board can be connected in parallel to a single thermostat.</p>		3.028511
<p><b>Electronic control board with 0-10 V connection</b> It allows to manage the fan motor, with modulating speed. The motor adjustment is carried out through a 0-10 V DC analog input. It has a 230 V output for piloting of the water solenoid valve.</p>		3.028512

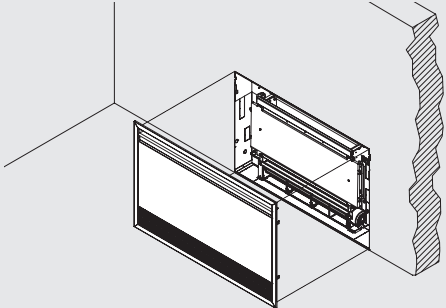
## Options for HYDRO IN

<p><b>2-way group valve kit</b> composed of automatic valve with thermoelectric head and holder to balance the plant load losses. Including insulation.</p>		3.028507
<p><b>3-way group valve kit</b> composed of three-way diverter valve with thermoelectric head, by-pass tube and holder to balance plant load losses. Including insulation.</p>		3.028508
<p><b>Connection cable to shift water connections from left to right</b> to be used in case of reversibility of the hydraulic pipe connections on the right side, rotating the battery 180° (operation to be carried out on site).</p>		3.029834

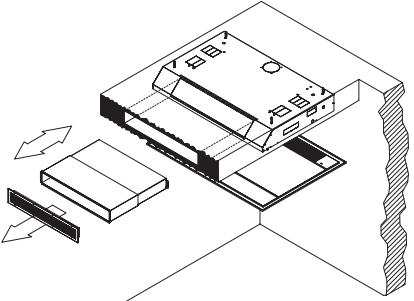
## Option kits for HYDRO IN

The installation of the HYDRO IN built-in fan coils provides different assembly solutions based on the chosen solution or if installed on the wall, ceiling or false ceiling. The following pages show all the components available based on the chosen solution and the HYDRO IN version.

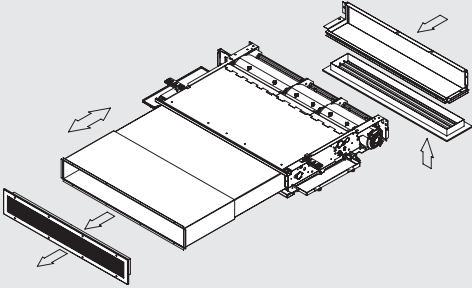
### Wall built-in installation

Component	Type
	<p>For this type of installation, in addition to the HYDRO IN, the following optional kits are required:</p> <ul style="list-style-type: none"> <li>• casing</li> <li>• aesthetic cover panel</li> </ul>

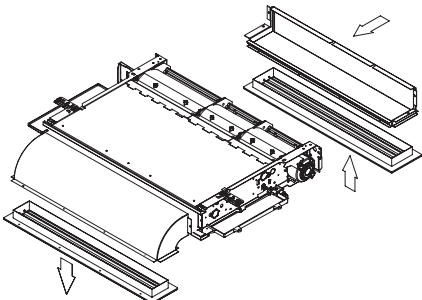
### Ceiling built-in installation

	<p>For this type of installation, in addition to the HYDRO IN, the following optional kits are required:</p> <ul style="list-style-type: none"> <li>• casing</li> <li>• aesthetic cover panel</li> <li>• variable length duct</li> <li>• air flow aluminum grill with straight profile</li> </ul>
--	---

### Recessed installation in false ceiling with bottom air intake and horizontal throwing

	<p>For this type of installation, in addition to the HYDRO IN, the following optional kits are required:</p> <ul style="list-style-type: none"> <li>• air intake aluminum grill with straight profile</li> <li>• air intake suction duct</li> <li>• variable length duct</li> <li>• air flow aluminum grill with straight profile</li> </ul>
---	--

### Recessed installation in false ceiling with intake and airflow at the bottom

	<p>For this type of installation, in addition to the HYDRO IN, the following optional kits are required:</p> <ul style="list-style-type: none"> <li>• air intake aluminum grill with curved profile</li> <li>• air intake suction duct</li> <li>• 90° bended airflow duct</li> <li>• air flow aluminum grill with curved profile</li> </ul>
---	---





## Kit for wall built-in installation

For this type of installation, in addition to the HYDRO IN, the following optional kits are required:

- Casing
- Aesthetic cover panel


### Sheet metal casing

In zinc-coated metal sheet, designed to be inserted in the walls in which to house HYDRO IN.

Type	Dimensions (H x W x D)		Code
For HYDRO IN 200	725 x 715 x 142 mm		3.029876
For HYDRO IN 400	725 x 915 x 142 mm		3.029877
For HYDRO IN 600	725 x 1115 x 142 mm		3.029878
For HYDRO IN 800	725 x 1315 x 142 mm		3.029879
For HYDRO IN 1000	725 x 1515 x 142 mm		3.029880

### Casing cover panel with intake air grill

RAL 9003 opaque white colour, including air intake grill and adjustable air flow fin.

For HYDRO IN 200	754 x 772 x 9 mm		3.029881
For HYDRO IN 400	754 x 972 x 9 mm		3.029882
For HYDRO IN 600	754 x 1172 x 9 mm		3.029883
For HYDRO IN 800	754 x 1372 x 9 mm		3.029884
For HYDRO IN 1000	754 x 1572 x 9 mm		3.029885

## Kit for ceiling built-in installation

For this type of installation, in addition to the HYDRO IN, the following optional kits are required:

- Casing
- Aesthetic cover panel
- Variable length duct
- Air flow aluminum grill with straight profile

### Sheet metal casing

In zinc-coated metal sheet, designed to be inserted in the ceiling in which to house HYDRO IN.

Type	Dimensions (H x W x D)		Code
For HYDRO IN 200	725 x 715 x 142 mm		3.029876
For HYDRO IN 400	725 x 915 x 142 mm		3.029877
For HYDRO IN 600	725 x 1115 x 142 mm		3.029878
For HYDRO IN 800	725 x 1315 x 142 mm		3.029879
For HYDRO IN 1000	725 x 1515 x 142 mm		3.029880


### Ceiling casing cover panel with accessible air grill

RAL 9003 opaque white colour, including air intake grill.

For HYDRO IN 200	754 x 772 x 9 mm		3.029886
For HYDRO IN 400	754 x 972 x 9 mm		3.029887
For HYDRO IN 600	754 x 1172 x 9 mm		3.029888
For HYDRO IN 800	754 x 1372 x 9 mm		3.029889
For HYDRO IN 1000	754 x 1572 x 9 mm		3.029890


### Variable length air flow duct

Adjustable to adapt to the installation. Made of zinc-coated sheet and internally covered with insulation to avoid condensation.

For HYDRO IN 200		3.029851
For HYDRO IN 400		3.029852
For HYDRO IN 600		3.029853
For HYDRO IN 800		3.029854
For HYDRO IN 1000		3.029855

### Air flow aluminum grill with straight profile

In aluminum with double row of fins for adjusting both horizontal and vertical air flow.

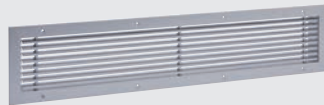
For HYDRO IN 200		3.029861
For HYDRO IN 400		3.029862
For HYDRO IN 600		3.029863
For HYDRO IN 800		3.029864
For HYDRO IN 1000		3.029865

## Kit for recessed installation in false ceiling with bottom air intake and horizontal throwing


For this type of installation, in addition to the HYDRO IN, the following optional kits are required:

- Air intake aluminum grill with straight profile
- Air intake suction duct
- Variable length duct
- Air flow aluminum grill with straight profile

### Air intake aluminum grill with straight profile

Type		Code
For HYDRO IN 200		3.029866
For HYDRO IN 400		3.029867
For HYDRO IN 600		3.029868
For HYDRO IN 800		3.029869
For HYDRO IN 1000		3.029870

### Air intake suction duct

For HYDRO IN 200		3.029846
For HYDRO IN 400		3.029847
For HYDRO IN 600		3.029848
For HYDRO IN 800		3.029849
For HYDRO IN 1000		3.029850


### Variable length air flow duct

Adjustable to adapt to the installation. Made of zinc-coated sheet and internally covered with insulation to avoid condensation.

For HYDRO IN 200		3.029851
For HYDRO IN 400		3.029852
For HYDRO IN 600		3.029853
For HYDRO IN 800		3.029854
For HYDRO IN 1000		3.029855

### Air flow aluminum grill with straight profile

In aluminum with double row of fins for adjusting both horizontal and vertical air flow.

For HYDRO IN 200		3.029861
For HYDRO IN 400		3.029862
For HYDRO IN 600		3.029863
For HYDRO IN 800		3.029864
For HYDRO IN 1000		3.029865


## Kit for recessed installation in false ceiling with intake and airflow at the bottom

For this type of installation, in addition to the HYDRO IN, the following optional kits are required


- Air intake aluminum grill with curved profile
- Air intake suction duct
- 90° bended airflow duct
- Air flow aluminum grill with curved profile

### Air intake aluminum grill with curved profile

In aluminum. The curved profile completely masks the interior providing more elegance to the application.

Type		Code
For HYDRO IN 200		3.029871
For HYDRO IN 400		3.029872
For HYDRO IN 600		3.029873
For HYDRO IN 800		3.029874
For HYDRO IN 1000		3.029875

### Air intake suction duct

For HYDRO IN 200		3.029846
For HYDRO IN 400		3.029847
For HYDRO IN 600		3.029848
For HYDRO IN 800		3.029849
For HYDRO IN 1000		3.029850


### 90° bended airflow duct

Made of zinc-coated sheet and internally covered with insulation to avoid condensation. It allows to convey the air flow coming from the terminal, towards the nozzle placed at right angles to the air outlet.

For HYDRO IN 200		3.029856
For HYDRO IN 400		3.029857
For HYDRO IN 600		3.029858
For HYDRO IN 800		3.029859
For HYDRO IN 1000		3.029860

### Air flow aluminum grill with curved profile

Made of aluminum. The geometry of the fins is designed to allow a comfortable flow of air.

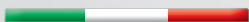
For HYDRO IN 200		3.029891
For HYDRO IN 400		3.029892
For HYDRO IN 600		3.029893
For HYDRO IN 800		3.029894
For HYDRO IN 1000		3.029895



### App Immergas TOOLBOX



[immergas.com](http://immergas.com)



Immergas S.p.A.  
42041 Brescello (RE) - Italy  
T. 0522.689011  
F. 0522.689178



**IMMERGAS**  
IMMERGAS SPA - ITALY  
CERTIFIED COMPANY  
UNI EN ISO 9001:2015

Design, manufacture and post-sale assistance  
of gas boilers, gas water heaters and related  
accessories