

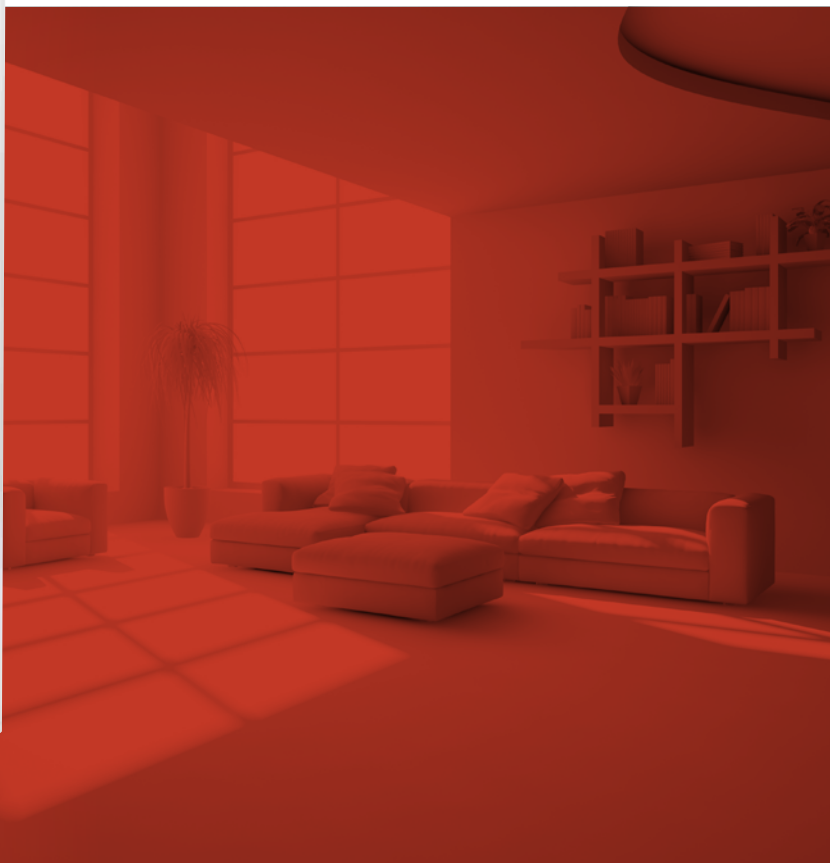
TRADITIONAL

 **IMMERGAS**



TRADITIONAL BOILERS

Wall-hung eco-friendly boilers open
chamber conventional flue



TRADITIONAL RANGE

Clean emissions and easy replacement

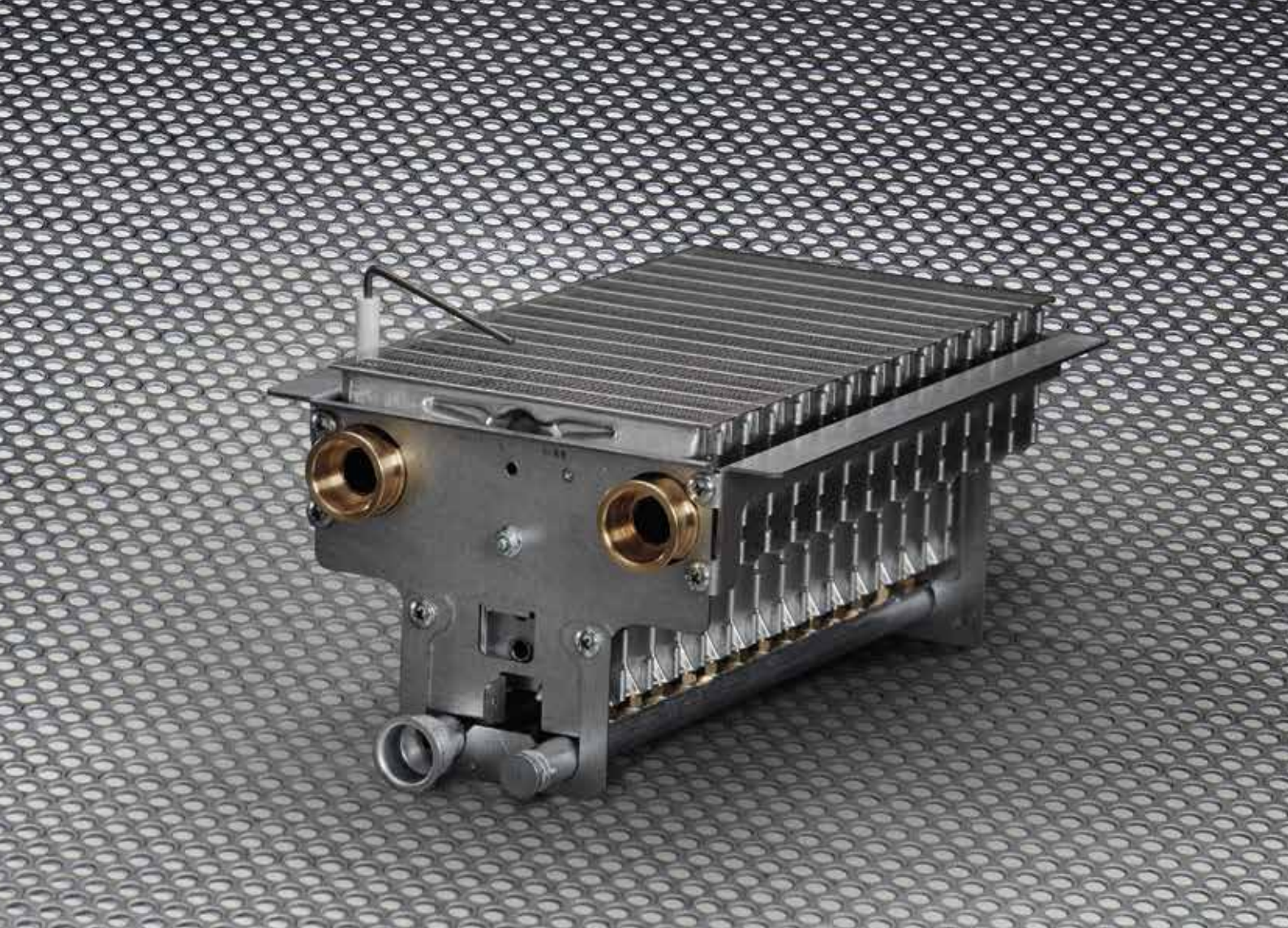
As of 26 September 2018, type B open chamber conventional flue, boilers must also comply with the NOx maximum emission limit of 56 mg/kWh. To meet the provisions of Directive ErP 2009/125/CE on energy efficiency, Immergas has renovated its range of traditional boilers with **the new NIKE and AVIO ECO models**.

NIKE is a combi boiler and AVIO features a 45 litres storage tank. Both boilers give 24 kW heat output with **methane-only fuel** and are the **ideal choice for replacing old boilers**.

With their standard low-consumption electric circulator and ecological burner, NIKE and AVIO ECO **help achieve a higher energy efficiency class** for heating and DHW production systems.

The range can also be remote controlled through **DOMINUS, a simple, intuitive app** that lets you check boiler operation and temperature, switch the system on and off wherever you are using a smartphone or tablet.





LOW NO_x ECO-FRIENDLY BURNER

Eco-friendly burner, designed to minimize secondary air and cooled by the system return water pipe, ensures high performances and low emissions of NO_x and CO.

CLASS A CIRCULATOR

The low-consumption pump allows for significant energy savings in comparison with the traditional circulator and self-adjusts in response to flow rate fluctuations, for example when there are thermostatic valves or zone valves.

STAND-BY LOW POWER CONSUMPTION (LESS THAN 6 W)

SIMPLICITY OF CONTROLS

The boiler has a highly-developed easy-to-use user interface with LCD display, that allows to show various information, for example operating mode, temperatures and potential anomalies.

UNCHANGED CONNECTIONS

Thanks to the same hydraulic and gas connections position as current models, replacements are easy.

IPX5D ELECTRIC PROTECTION INDEX



COMBI INSTANTANEOUS VERSION

OPTIMUM CONTROL OF DHW TEMPERATURE

The 3-way valve with heat exchanger allows a right operation also with small withdrawals or with low water pressures and ensures a fast DHW supply.

DHW PRE-HEATING FUNCTION: BOOST

If active, the boiler switches on and pre-heats the sanitary plates exchanger, in order to reduce waiting times for the DHW supply. The function is activated by pressing the relevant button: the corresponding symbol lights up on the display.

SOLAR FUNCTION

This function is activated automatically if the boiler detects a probe on the DHW inlet (code 3.021452) or if the "Solar ignition delay" parameter is more than 0 seconds. During a withdrawal, if the outlet water is hot enough, the boiler does not switch on, the DHW withdrawal symbol appears on the display along with the flashing solar function symbol. When the water supplied by the solar system is at a temperature lower than that at which the boiler is set, the boiler switches on.

10 LITRES EXPANSION VESSEL

CONNECTION GROUP AS STANDARD

COMPACT SHAPED TECHNOLOGY

Their compact size makes them easy to position and they adapt with flexibility to replacement of existing units at home.



BUILT-IN STORAGE TANK VERSION

MAXIMUM DHW COMFORT

AVIO ECO has a integrated stainless steel storage tank with capacity of 45 litres. In the last years Immergas pay attention on insulation in order to guarantee a good maintenance of DHW temperature. For this reason the boiler has improved insulation by increasing the thickness of 15-20%.

10 LITRES EXPANSION VESSEL

Ideal for replacing boiler in thermal system with high water content.





2 LITRES DHW EXPANSION VESSEL AS STANDARD

CONNECTION KIT AND LOWER COVER AS STANDARD

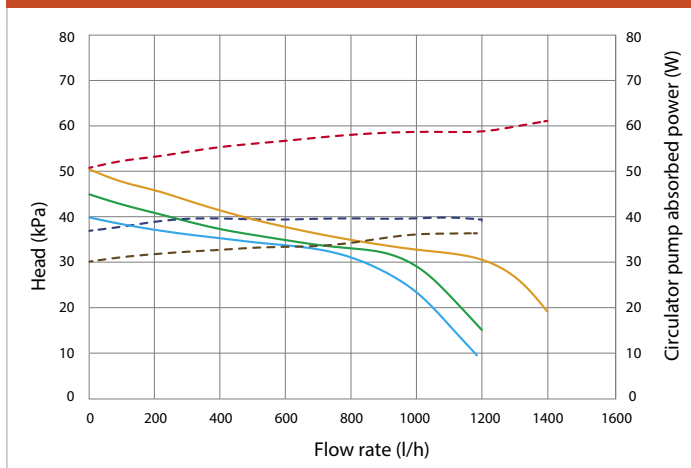
With boiler supply, you can find the connection group and the lower cover, that is ideal for an aesthetic setting of the boiler in domestic area.

IDEAL FOR HOUSES WITH RECIRCULATION PIPE OR WIDE WATER AND SANITARY SYSTEMS

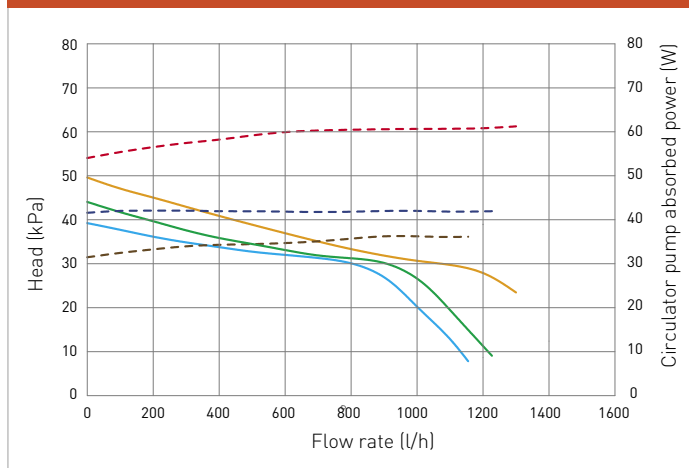


| Technical information | Unit of measurement | NIKE ECO 24 | AVIO ECO 24 |
|---|---------------------|--|--|
| Code N.G. | | 3.028476 | 3.028383 |
| Energy class | |  C  B |  C  B |
| Maximum nominal heat input | kW | 26,6 | 26,6 |
| Minimum DHW heat input | kW | 9,6 | 10,7 |
| Central heating minimum heat input | kW | 10,7 | 11,7 |
| Maximum nominal heat output | kW | 24,0 | 24,0 |
| Minimum nominal DHW heat output | kW | 8,5 | 9,5 |
| Minimum nominal C.H. heat output | kw | 9,5 | 10,4 |
| Efficiency at nominal heat output (80/60°C) | % | 90,2 | 90,1 |
| Efficiency at 30% of load (80/60 °C) | % | 88,9 | 89,4 |
| Gas flow rate burner on max/min | m³/h | 2,82/1,02 | 2,82/1,13 |
| Flue temperature P nom./P min. | °C | 96/61 | 95/64 |
| NO _x Class | | 6 | 6 |
| Weighted NO _x | mg/kWh | 32 | 29 |
| Weighted CO | mg/kWh | 34 | 27 |
| D.H.W. flow rate for continuous service (Δt= 30 °C) | l/min | 11,2 | 11,2 |
| Domestic hot water circuit min. pressure (dynamic) | bar (MPa) | 0,3 (0,03) | 0,3 (0,03) |
| Central heating expansion vessel nominal capacity (total) | litres | 10 (8,0) | 10 (7,7) |
| Electric protection index | IP | X5D | X5D |
| Full appliance weight (empty) | kg | 34 (31,2) | 97,2 (52) |

NIKE ECO 24 Flow rate / Head graph



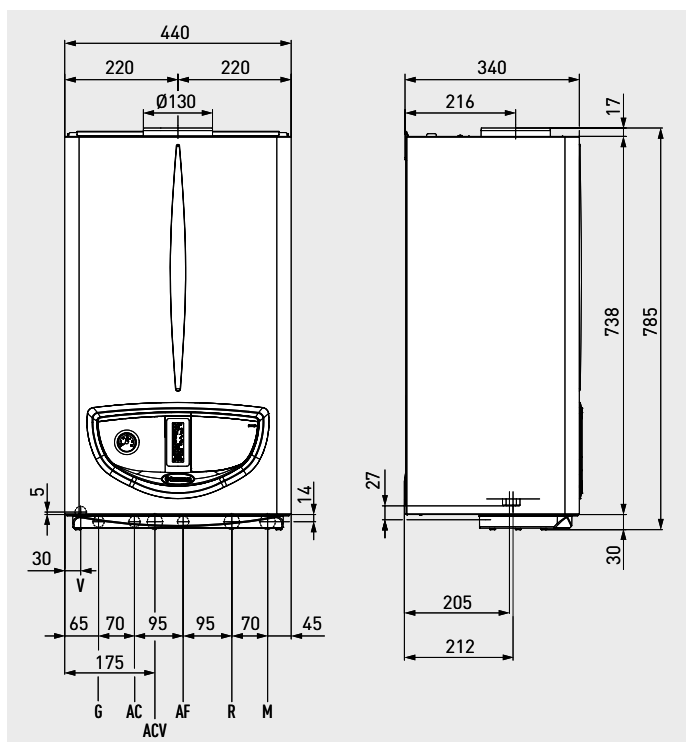
AVIO ECO 24 Flow rate / Head graph



Key

- Available head at 2nd speed
- Available head at 3rd speed
- Available head at 4th speed
- - Pump consumption at 2nd speed
- - Pump consumption at 3rd speed
- - Pump consumption at 4th speed

NIKE ECO 24



Key

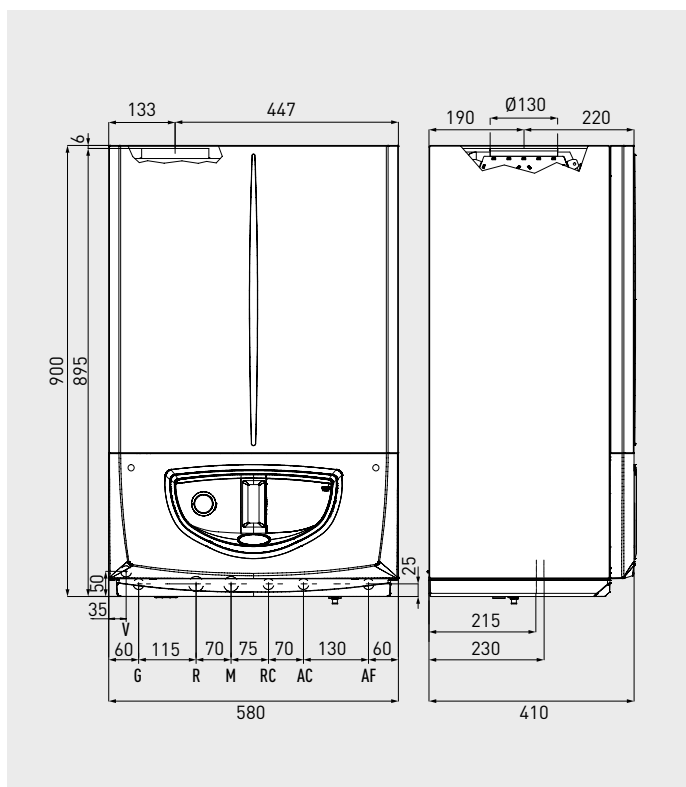
- G Gas supply
- AC Domestic hot water outlet
- ACV Solar valve domestic hot water inlet (optional)
- AF Domestic cold water inlet
- R System return
- M System flow
- V Electrical connection

Hydraulic connections

| Gas | D.H.W | | System | |
|----------|-------|------|--------|------|
| | AC | AF | R | M |
| 3/4" (*) | 1/2" | 1/2" | 3/4" | 3/4" |

(*) The boiler is equipped with a 90° gas cock with 3/4" attachments and Ø18 mm fitting to be welded.

AVIO ECO 24



Key

- G Gas supply
- R System return
- M System flow
- RC Domestic hot water pump (optional)
- AC Domestic hot water outlet
- AF Domestic cold water inlet
- V Electrical connection

Hydraulic connections

| Gas | System | | D.H.W | | |
|------|--------|------|-------|------|------|
| | R | M | RC | AC | AF |
| 3/4" | 3/4" | 3/4" | 1/2" | 1/2" | 1/2" |



Combining NIKE and AVIO ECO with an heat regulation device is an excellent investment because it improves the seasonal energy efficiency of the heating system. For each of the following heat regulation devices we therefore indicate a class, which gives you the percentage value of increased efficiency.

CAR^{V2} (Weekly thermostat and modulating remote control)

| Type | | Code |
|---|--|----------|
| <p>Modulating thermostat with remote boiler controls; includes special functions such as antifreeze temperature settings and anti-legionella function (only for boilers with DHW storage tank)</p> <p>IDEAL FOR REPLACEMENT</p> <p>Product class V* or VI Seasonal energy efficiency value 3%* or 4%</p> |  <p>Dimensions (H x W x D) mm 103 x 142 x 31</p> | 3.021395 |

Available also in wireless version – code 3.021623

MINI CRD (MINI weekly thermostat and modulating remote control)

| | | |
|--|--|----------|
| <p>Compact modulating thermostat</p> <p>Note: it can be installed only for single zone systems and without an external probe or DOMINUS interface board kit</p> <p>Product class V* or VI Seasonal energy efficiency value 3%* or 4%</p> |  <p>Dimensions (H x W x D) mm 80 x 80 x 23</p> | 3.020167 |
|--|--|----------|

CRONO 7 (Weekly digital chronothermostat)


| | | |
|--|--|----------|
| <p>Cronotermostato ON-OFF digitale settimanale</p> <p>Classe del dispositivo IV* o VII valore di efficienza energetica stagionale 2%* o 3,5%</p> |  <p>Dimensions (H x W x D) mm 103 x 142 x 31</p> | 3.021622 |
|--|--|----------|

Available also in wireless version – code 3.021624

DOMINUS interface board kit

| | | |
|---|--|----------|
| <p>To remote the control of the boiler with DOMINUS APP</p> |  | 3.026273 |
|---|--|----------|

External probe


| | | |
|--|--|----------|
| <p>Allows at the boiler to functioning at a variable temperature according to the climatic conditions</p> <p>IDEAL FOR REPLACEMENT</p> <p>Product class II*, VI or VII Seasonal energy efficiency value 2%*, 4% or 3,5%</p> |  | 3.014083 |
|--|--|----------|

Telephonic remote control

| | | |
|--|--|----------|
| <p>For buildings equipped with telephone network. It can be combined with all Immergas thermoregulation devices except MINI CRD.</p> |  | 3.013305 |
|--|--|----------|

* Product class with default settings. Some heat regulation device can change class depending on the settings and operation modes that can be changed, for example Modulating or ON/OFF. The use of these devices contributes, in percentage, to the seasonal energy efficiency of the heating system.


GSM Telephonic control

| Type | | Code |
|--|---|----------|
| For buildings not equipped with telephone network. It can be combined with all Immergas thermoregulation devices except MINI CRD. |  | 3.017182 |

Relay board kit

| | | |
|---------------------------------------|--|----------|
| To be installed inside of the boiler. |  | 3.015350 |
|---------------------------------------|--|----------|

Multi-zone electronic board

| | | |
|---|--|----------|
| It can manage 4 zones at the same temperature or 1 mixed and 1 direct zone by remote modulating controls (ie. CAR V2). For VICTRIX ZEUS, VICTRIX MAIOR TT/X, VICTRIX TT ErP/X, VICTRIX EXA/X, VICTRIX TERA VIP, VICTRIX TERA/PLUS, VICTRIX OMNIA, MYTHOS HP, NIKE/AVIO ECO and NIKE STAR 24. |  Dimensions (H x W x D) mm 175 x 110 x 50 | 3.028444 |
|---|--|----------|

Mixing valve kit

| | | |
|--|--|----------|
| For multi-zone electronic board (code 3.028444). |  | 3.027084 |
|--|--|----------|

OPTIONAL

Among the wide range of options it is possible to find out any specific accessory to complete the installation of NIKE and AVIO ECO. The use of original kits enhances quality and reliability of the products.

Magnetic cyclone filter kit

| | | |
|---|---|----------|
| Important in case of boiler replacement in order to restrain possible ferrous residues. IDEAL FOR REPLACEMENT Easy to inspect and clean, since the system emptying is not needed. Only for indoor installation |  | 3.024176 |
|---|---|----------|

Antiscale kit

| | | |
|---|---|----------|
| Approved for installation inside the building |  | 3.013499 |
|---|---|----------|

Recirculation kit with DHW pump

| Type | | Code |
|--------------------|--|----------|
| Only for AVIO ECO. |  | 3.015380 |

Recirculation kit (only probe pipe)

| Type | | Code |
|--------------------|---|----------|
| Only for AVIO ECO. |  | 3.012944 |



Clock kit for recirculation

| | | |
|--|--|----------|
| Only for AVIO ECO. To be used to manage the recirculation pump. |  | 3.015431 |
|--|--|----------|

Additional expansion vessel kit

| | | |
|---------------------------|--|----------|
| 2 litres expansion vessel |  | 3.018433 |
|---------------------------|--|----------|

Shut off knobs

| | | |
|-----------------------------|--|----------|
| Shut off knobs. |  | 3.5324 |
| Shut off knobs with filter. |  | 3.015854 |

NIKE AVIO ECO range can be connected to the DIM Range (Multysystem distribution manifolds).

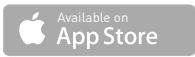


 **IMMERGAS**





App Immergas TOOLBOX



immergas.com

Immergas S.p.A.
42041 Brescello (RE) - Italy
Tel. 0522.689011
Fax 0522.680617



IMMERGAS
IMMERGAS SPA - ITALY
CERTIFIED COMPANY
UNI EN ISO 9001:2015

Design, manufacture and post-sale assistance of gas
boilers, gas water heaters and related accessories