

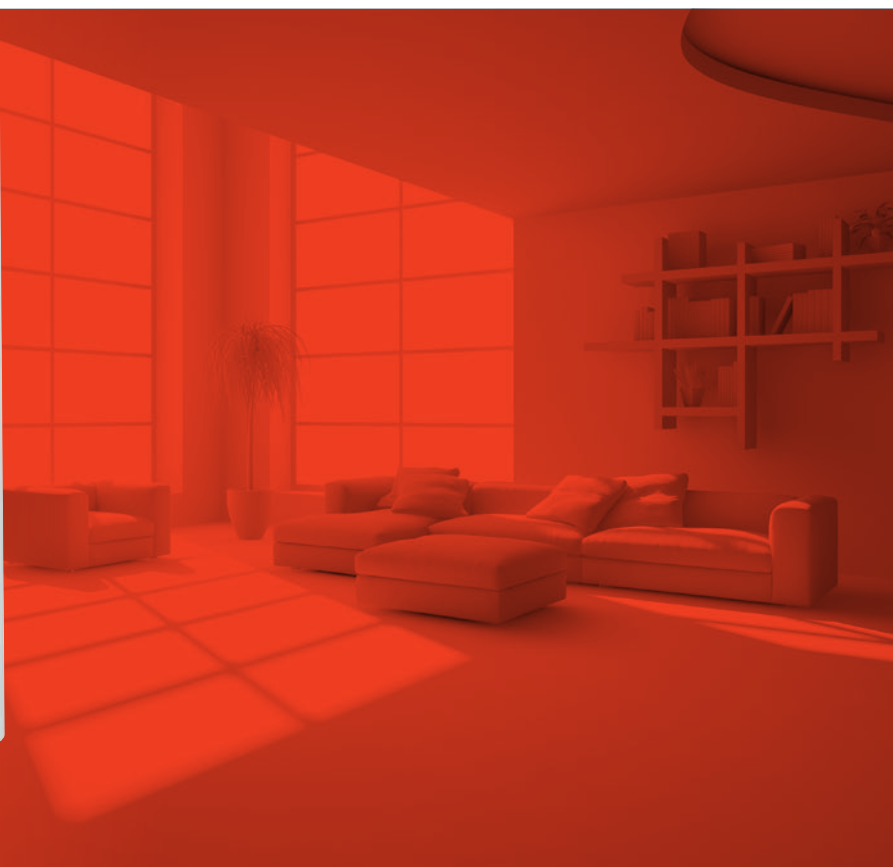
TRADITIONAL

**IMMERGAS**



# NIKE/EOLO STAR

Wall-hung combi boilers





### ADVANCED ELECTRONICS

With Immergas boilers it is all extremely easy. The advanced electronics equipping STAR models allows for the combination with the Mini Digital Remote Control (MINI CRD) and the new thermoregulation systems Amico Remote Control series (CAR<sup>V2</sup>): thanks to these devices it is possible to control the boiler from a distance and increase the appliance energy performance, guaranteeing the maximum room comfort and remarkable energy saving.

### SERVICE BEYOND THE PRODUCTS

Immergas believes in customer service as a strategy to gaining the trust of their target, ensuring a high level of satisfaction and winning over new markets. The massive worldwide presence of a technical service network is a crown jewel of Immergas Service, to ensure qualified support for any after-sales service need.



## NIKE/EOLO STAR

Wall-hung combi boilers, with bithermal heat exchanger, both open chamber and sealed chamber

### COMPACT SHAPED TECHNOLOGY

The range of STAR combi boilers is characterized by the **extremely compact dimensions**, the modern and new elegant design and the great performances. The range is composed of two versions:

**NIKE**, open chamber and conventional flue

**EOLO**, sealed chamber and fan assisted

with useful heat output of **24 kW**, both in the heating and domestic hot water production functions.

EOLO STAR is supplied in two models: with pneumatic gas valve (4 E model) or with electronic gas valve (5 E model). Electronic gas valve allows all gas setting and regulation directly on the control panel.

### FAST DOMESTIC HOT WATER SUPPLY

The STAR range is equipped with a **bithermal heat exchanger** and integrates both the heating and the domestic hot water production circuits.

Therefore, the heat exchanger guarantees fast hot water supply and considerable simplification of the hydraulic circuit, all in favour of reliability and maintenance easiness.

### HYDRAULIC CONNECTIONS

The hydraulic connection kit is optional. The range of STAR combi boilers presents same hydraulic and gas connection positions as current models.



**Digital display**

**Bithermal heat exchanger** for heating and domestic hot water

**Adjustable by-pass**

**Electronic ignition and modulation**

Combinable with **climatic thermoregulation devices**

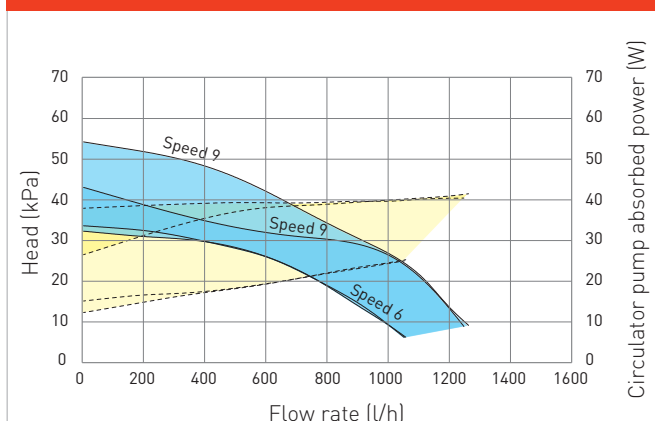
**Optional connection group**

**-5 °C anti-freeze protection** as standard (-15 °C optional for EOLO STAR only)

**Standard circulating group** with 5 m.w.c.

Technical data	Unit of measurement	EOLO STAR 24 4 E	EOLO STAR 24 5 E	NIKE STAR 24 4 E
<b>Code</b>	<b>N.G</b> <b>L.P.G.</b>	<b>3.027046</b> <b>3.027046GPL</b>	<b>3.027494</b> <b>3.027494GPL</b>	<b>3.027058</b> <b>3.027058GPL</b>
Maximum nominal heat input	kW	25,5	25,5	25,9
Minimum heat input (D.H.W. / C.H.)	kW	7,6/12,8	7,6/12,8	8,1/10,8
Maximum nominal heat output	kW	23,8	23,8	23,6
Minimum nominal heat output (D.H.W. / C.H.)	kW	6,8/11,5	6,8/11,5	7,0/9,5
Efficiency at 100% nominal heat output	%	93,4	93,4	91,1
Efficiency at 30% nominal heat output load	%	90,2	90,2	86,6
Gas flow rate burner ON (with natural gas) max/min	m <sup>3</sup> /h	2,70/0,81	2,70/0,81	2,74/0,86
D.H.W. flow rate for continuous service ( $\Delta t$ 30 °C)	l/min	11,1	11,1	11,1
Central heating expansion vessel capacity	litres	6	6	6
Electric protection index	IP	X5D	X5D	X4D
Full appliance weight (empty)	kg	29,7 (29,0)	29,7 (29,0)	25,3 (24,6)

Flow rate/ head graph



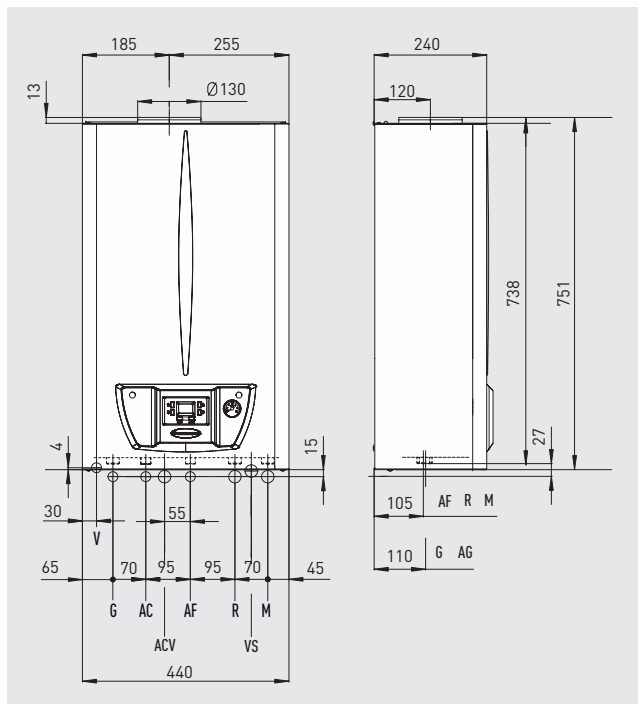
### Key

- Available head for central heating with excluded by-pass
- Available head for central heating with inserted by-pass
- Pump consumption with excluded by-pass
- Pump consumption with inserted by-pass

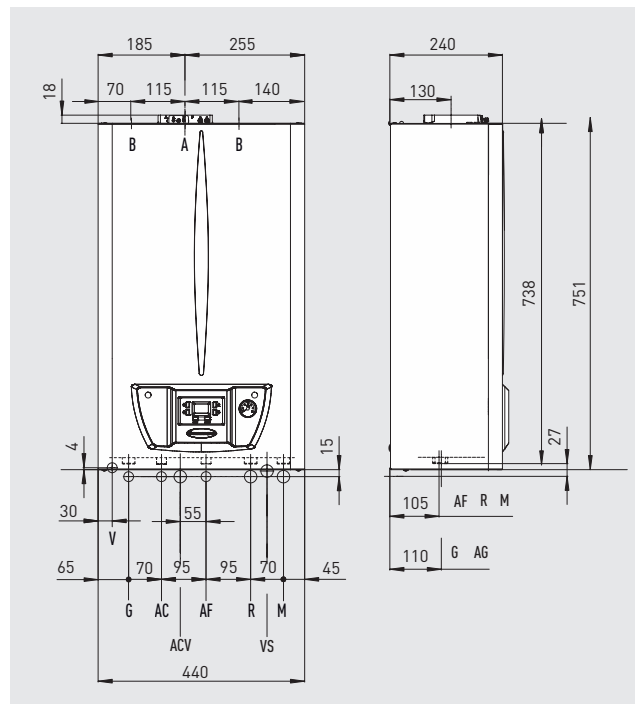
The range of STAR combi boilers are equipped with adjustable system by-pass.

Dimensions and connections

NIKE STAR 24 4 E



EOLO STAR 24 4 E/5 E



Hydraulic connections

Gas	D.H.W.		System	
	AC	AF	R	M
G	1/2"	1/2"	3/4"	3/4"
3/4"				

\* The boiler is equipped with a 90° gas cock with 3/4" connections and Ø 18 mm to be welded fitting.

N.B.: The gas cock must come out 200 mm at least from the connections horizontal wall.

Key

V	Electrical connection
G	Gas supply
AC	Domestic hot water outlet
ACV	Solar valve domestic hot water inlet
AF	Domestic cold water inlet
M	System flow
VS	Safety valve drain
R	System return
A	Outlet/Inlet
B	Inlet

Note: The "Blue Series" The range of STAR combi kits are exclusively made for a traditional boiler like EOLO STAR. It's available a new option kit: **COVER KIT FOR DIRECT AIR SUCTION** (code 3.019090)

OPTION KITS	Code
MINI CRD (Mini Digital Remote Control)*	3.020167
CAR <sup>v2</sup> (weekly thermostat and modulating remote control)*	3.021395
-15 °C anti-freeze protection for EOLO STAR only	3.016144
Connection kit	3.015229

\* These remote controls are combinable exclusively with single zone systems.

IMMERGAS  
IMMERGAS SPA - ITALY  
CERTIFIED COMPANY  
UNI EN ISO 9001:2008

Design, manufacture and post-sale assistance of gas boilers, gas water heaters and related accessories

Immergas S.p.A. 42041 Brescello (RE) - Italy - T. 0522.689011 F. 0522.680617

presales-export@immergas.com

immergas.com



App Immergas TOOLBOX

